

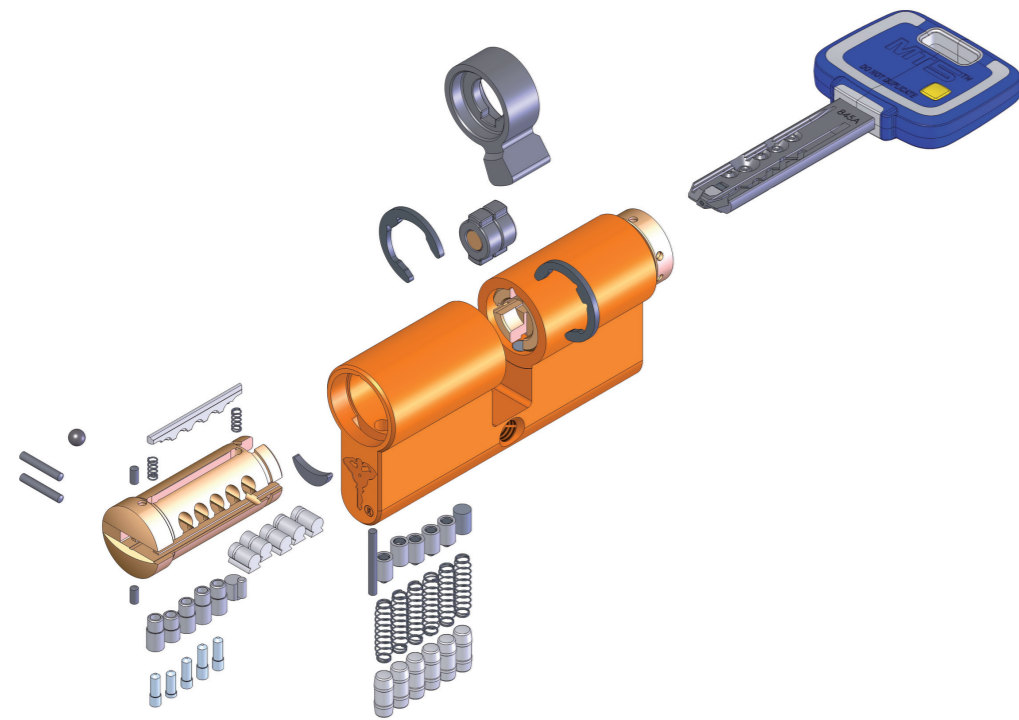
A NEW LEVEL IN PHYSICAL HIGH SECURITY

Mul-T-Lock R&D Delivers Complete Peace of Mind

Mul-T-Lock's expert R&D team has been busy perfecting a brand new locking concept that would address its customers' security requirements worldwide.

The result:

The MT5™, the fifth generation platform with breakthrough features, and the built-in experience of three decades.



MT5™ The new business multiplier.

**When you offer the best,
you win customer satisfaction and loyalty.**

The best way to secure your market

PARTNER WITH A LEADER

A member of the world leading ASSA ABLOY Group
One of the top ten high security locking solution companies in the world
Over 3 decades of innovative high security
More than 500 patent registrations worldwide
Serving every sector: industry, commerce, institutions, OEMs and residential
Seven subsidiaries, 20,000 service centers, 5 continents, almost 100 countries

FEEL FREE TO OFFER THE BEST

▶ PRODUCT ▶ SERVICE ▶ COMMITMENT



MUL-T-LOCK®

MT5™ The Fifth Generation of High Security Cylinder Platforms



www.mul-t-lock.com

With its readiness to respond to any challenge, Mul-T-Lock provides peace of mind through offering comprehensive, customized, top security locking solutions and service worldwide.

ASSA ABLOY is the global leader in door opening solutions, dedicated to satisfying end-user needs for security, safety and convenience.

The Mul-T-Lock name and the musclemen logo, and any other name, mark or logo used by Mul-T-Lock and marked by an ® or ™ sing are registered/pending trademarks of Mul-T-Lock Ltd. in various countries. Mul-T-Lock reserves the right to make any product improvements or modifications without prior notice.

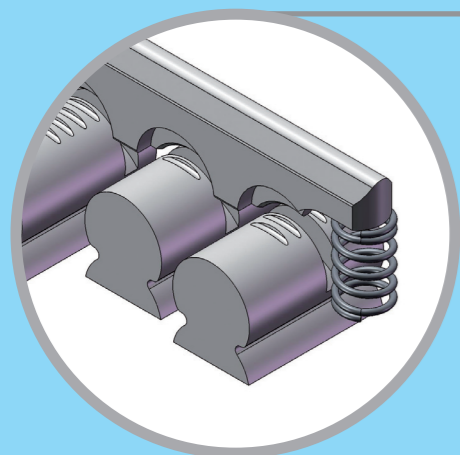
Mul-T-Lock® Technologies Ltd ©2007 Cat. No. 98101949-B

An ASSA ABLOY Group brand

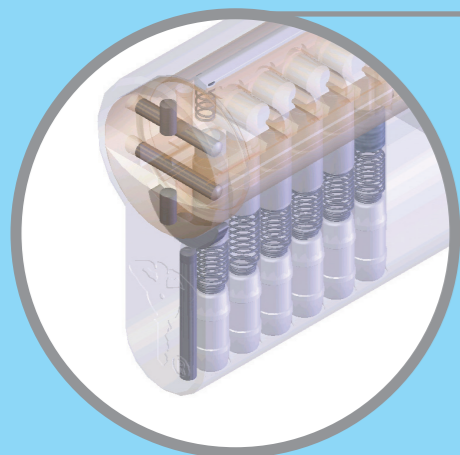
ASSA ABLOY

The New Concept - 3 Mechanisms for More Security

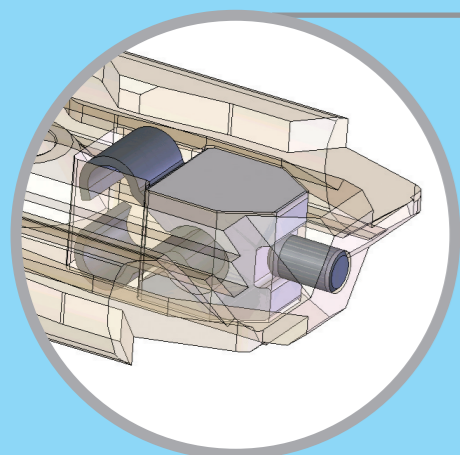
The new MT5™ features not only a double-sided flat key and a cylinder with a double active locking mechanism, it also has telescopic pins and top bar.



1 The locking bar mechanism is one of the three technologies featured in the MT5. Correct alignment of the top bar pins depends upon the correct combination key being inserted into the cylinder. The milled pattern which runs along the length of the key interacts with the top bar horizontal pins, creating the required shearline.



2 This new-generation product is also based on a new configuration of the Mul-T-Lock's well-honed telescopic pin technology.



3 Thirdly, at the tip of the key is a revolutionary mobile interacting spring - the Alpha Spring. The Alpha Spring engages a unique pin at the rear of the mechanism creating another shearline.



▶ THE MT5 KEY

All MT5 products have a double-sided unique MT5 key. One set of cuts are for the telescopic pin mechanism and the other cut, the milled pattern, is for the locking bar. The combination provides enhanced key security and a higher manipulation resistance.

▶ THE MT5 CARD

The MT5 key secure system is supported by the unique key authorization magnetic strip card. This card must be presented to the locksmith to enable additional keys to be supplied. Only when the magnetic key card is presented to the dedicated MT5 key duplication machine can the required key code be configured.



▶ MORE OPTIONS

The MT5 not only significantly upgrades security. It supports very large complex master key systems, incorporating hierarchy and matrix requirements even within the same suite.

The milled pattern can be used to create exclusive keyways in the marketplace.



▶ THE KC5 KEY CUTTING MACHINE

There is also a brand new key cutting machine, which yet again looks set to push the boundaries in a highly competitive marketplace.

The new, super-smart KC5 key cutting machine has electronic control, self-calibration and uses magnetic key card for uploading the key combination. The machine has two add-ins. The first add-in interfaces with MASTERpiece masterkey software for automatic cutting of large series of MT5 keys. The second is a kit that enables engraving on site.

Best of all, while featuring a new innovative operating system, the KC5 is remarkably simple to use. The KC5 can handle all Mul-T-Lock keys, and MT5 keys can be cut using the customer's own magnetic strip security card.



MT5™

3 locking mechanisms
for more security

Unique authorization card

Large, complex
Master key systems

Electronically-controlled
cutting machine

Combining security
and simplicity