

# Multi-Bolt Locking for Cabinet



## Application

Multipoint locking for cabinets.

## Operation

90° cam rotation by operating key.  
Directly linked to cam and bolts.  
Adjustable for clockwise or counter-clockwise operation.

## Options

Solid spacer ring, available in different thicknesses.

## Materials

Body, plug and ring: brass  
Cam: steel  
Bolts & support: zinc-plated steel  
Pins: nickel silver and stainless steel

## Standard finishes

Antique brass, antique bronze, nickel chrome, shiny brass

## Cylinder mechanism

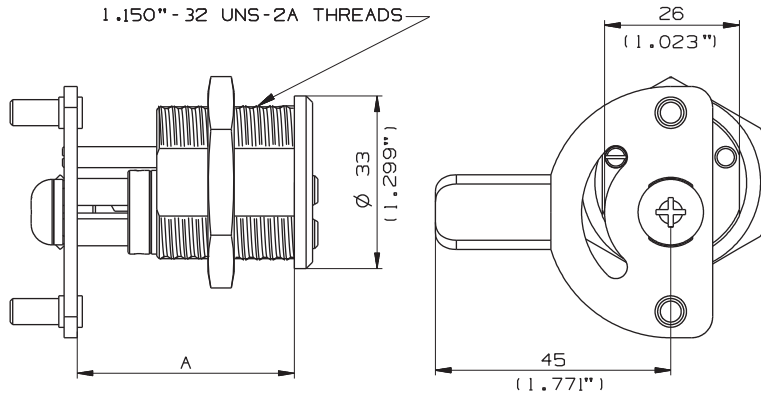
Mul-T-Lock's unique high precision pin tumbler system. Pick and drill resistant for High Security needs.

## Keys

Reversible nickel silver key with plastic key head and colored insert for identification. Also available in all nickel silver.

## Cylinder options

- Classic, Interactive® platforms
- Keyed different, keyed alike
- Master keyed
- '3 IN 1' (changeable combination)



	mm	Inch	
A	37	1.45	4
	40	1.57	5

## Spacer ring (standard mortise ring)

	mm	Inch
B	5.7	0.22
	8.9	0.35
	12.2	0.48
	15.5	0.61

