

Lock 700 Model

3-way Multipoint Rim Lock

Application

Heavy duty multipoint (3-way) rim lock with latch functionality. Suitable for 1.5 to 2.5 meter doors. Right-Hand or Left-Hand installation. Push or pull installation.

Operation

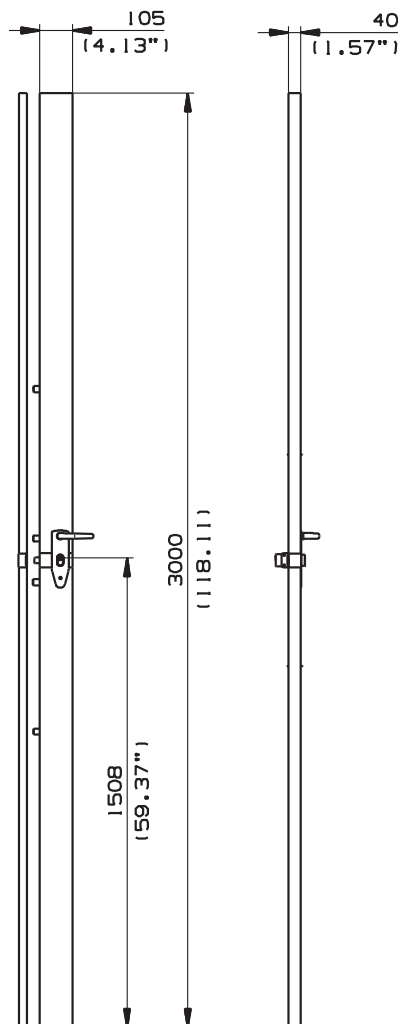
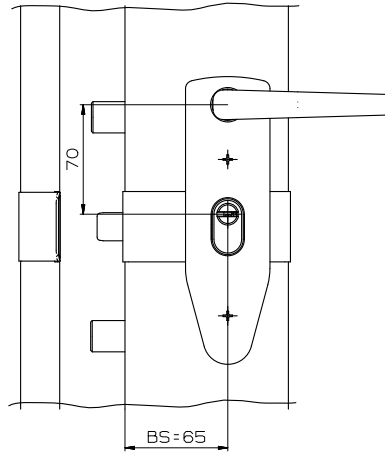
Equipped with Mul-T-Lock cylinder. 360° key rotation for dead bolt action and additional travel for latch action. Latch is reversible for Left-Hand and Right-Hand.

Materials

Case, mechanism, covers and frame: steel.
Bolts: steel (optional hardened).
Cylinder protector: hardened steel.

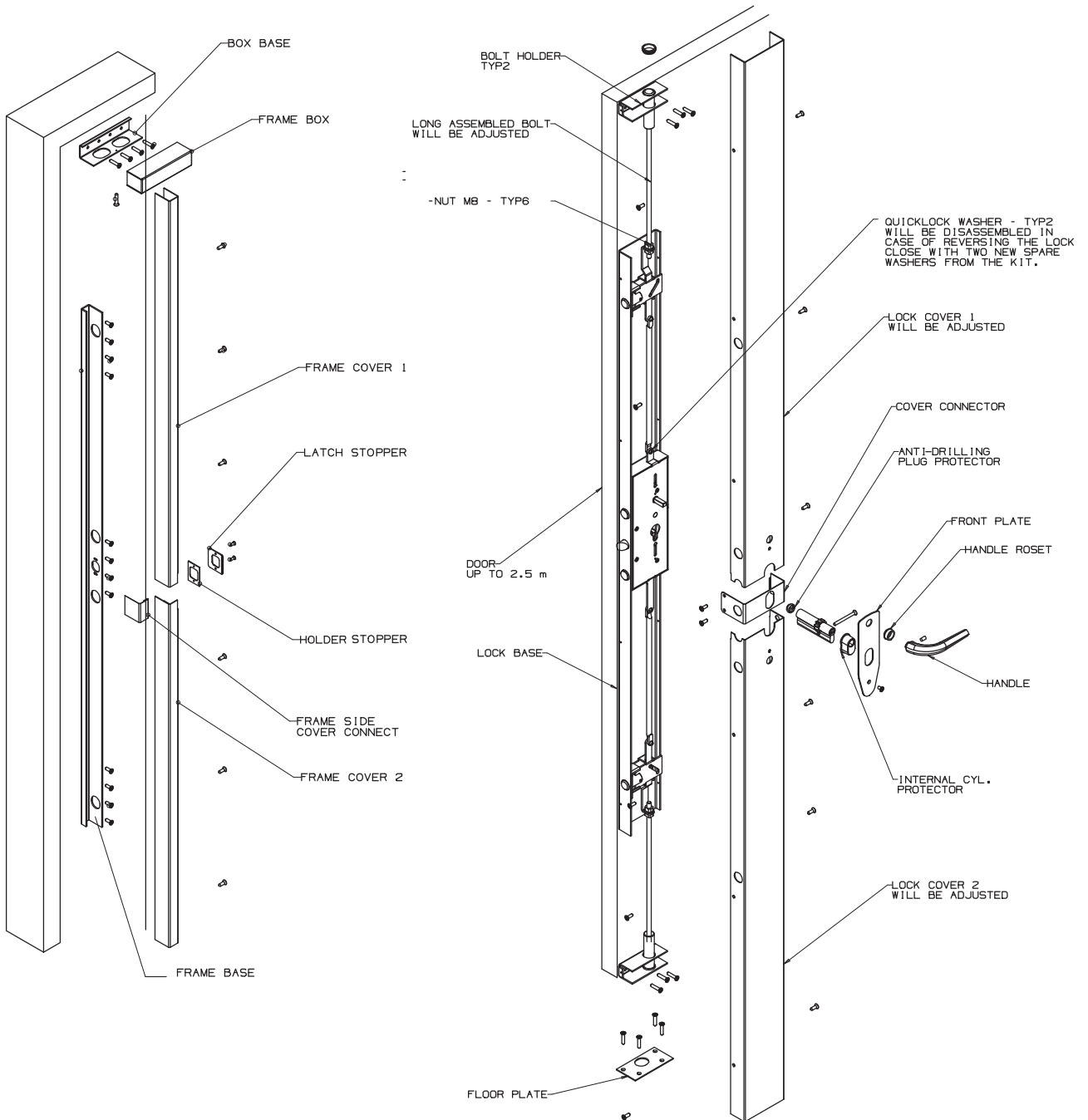
Standard

A2P★



Lock 700 Model

3-way Multipoint Rim Lock



Multipoint Locks